

Ikshu XFP - 10G – LR

Features

- ❖ Compliant with 802.3ae 10GBase-LR/LW Ethernet standard
- ❖ Compliant with 10GFC 1200-SM-LL-L Fiber Channel standard
- ❖ Compliant with XFP MSA INF-8077i
- ❖ Differential PECL reference clock input
- ❖ Duplex LC connector
- ❖ Single power supply 3.3V
- ❖ TTL signal detect indicator
- ❖ Hot Pluggable
- ❖ Class 1 laser product complies with EN 60825-1



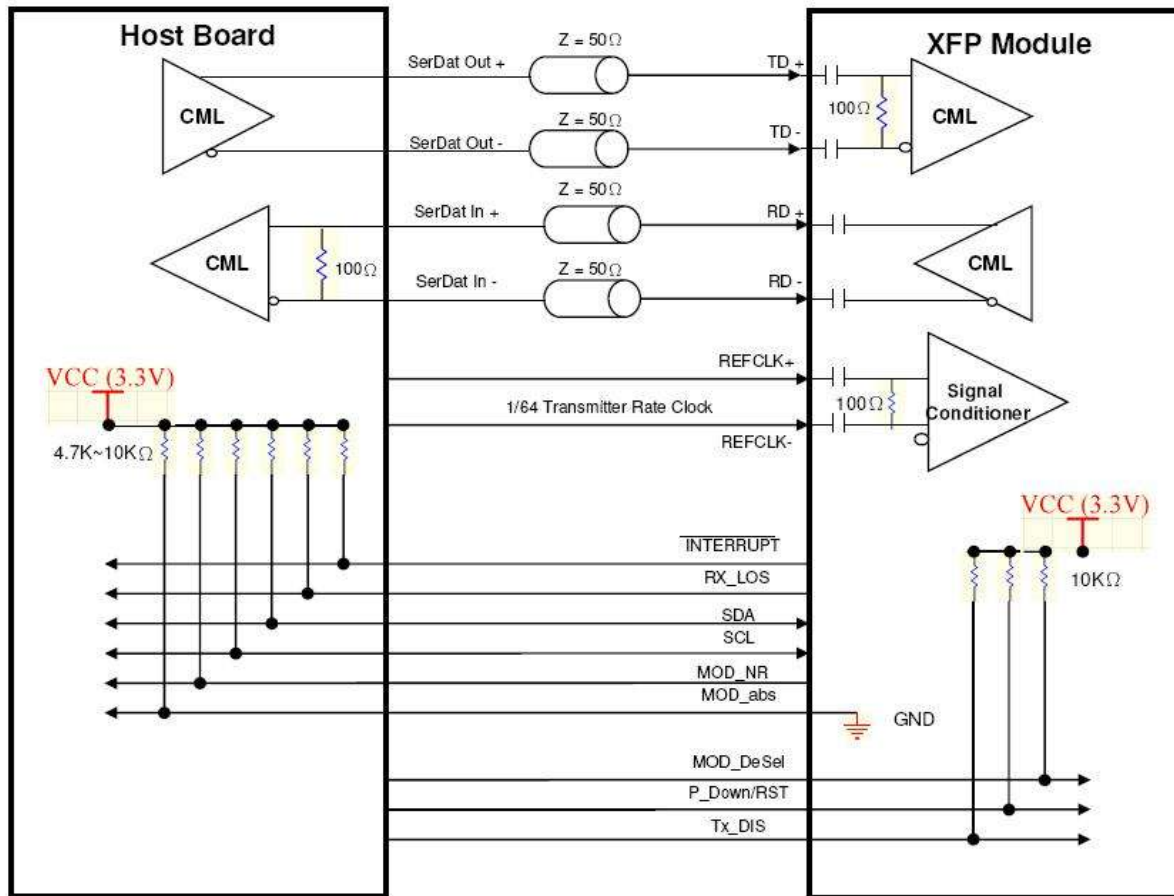
Absolute Maximum Ratings

| Parameter | Symbol | Minimum | Maximum | Unit |
|---------------------|-----------------|---------|---------|------|
| Storage Temperature | Ts | -40 | 85 | °C |
| Supply Voltage | Vcc | -0.5 | 4.0 | V |
| Input Voltage | V _{IN} | -0.5 | Vcc | v |

Recommended Operating Environment

| Parameter | Symbol | Minimum | Maximum | Unit |
|----------------------|-----------------------------------|---------|---------|------|
| Power Supply Voltage | Tc | 0 | 70 | °C |
| Storage Temperature | Vcc | 3.1 | 3.5 | V |
| Supply Current | I _{TX} + I _{RX} | | 500 | mA |

Block Diagram



Ordering Information

| Part Number | Type | Wavelength | Voltage | Temperature |
|----------------------|------------|------------|---------|---------------|
| Ikshu XFP – 10G – LR | Singlemode | 1310nm | 3.3V | 0 °C to 70 °C |



Texonic
 No.121, Luz Church Road,
 Mylapore, Chennai 600004.
 Ph: 044 4211 8608 / 8609
 Email: ganesh@texonic.com