

## Ikshu XFP - 10G – SR

### Features

- ❖ Compliant with 802.3ae 10GBase-LR/LW Ethernet standard
- ❖ Compliant with XFP MSA INF-8077i
- ❖ Wavelength: 850nm
- ❖ Duplex LC connector
- ❖ Differential PECL reference clock input
- ❖ Single power supply 3.3V
- ❖ TTL signal detect indicator
- ❖ Hot Pluggable
- ❖ Class 1 laser product complies with EN 60825-1

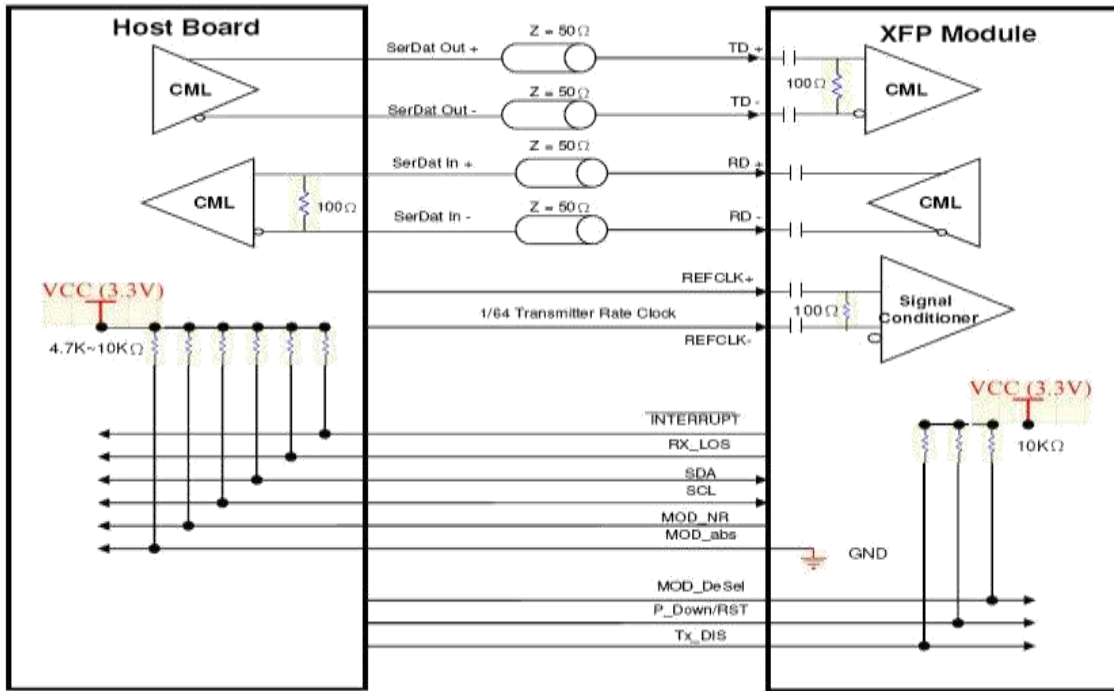


### Absolute maximum Ratings

Parameter	Symbol	Minimum	Maximum	Unit
Storage Temperature	T <sub>s</sub>	-40	85	°C
Supply Voltage	V <sub>CC</sub>	-0.5	4.0	V
Input Voltage	V <sub>IN</sub>	-0.5	V <sub>CC</sub>	V

### Recommended Operating Environment

Parameter	Symbol	Minimum	Maximum	Unit
Power Supply Voltage	T <sub>c</sub>	0	70	°C
Storage Temperature	V <sub>CC</sub>	3.1	3.5	V
Supply Current	I <sub>TX</sub> + I <sub>RX</sub>		400	mA
Block Diagram				



## Ordering Information

Part Number	Type	Wavelength	Voltage	Temperature
Ikshu XFP – 10G – SR	Multimode	850nm	3.3V	0°C to 70°C



**Texonic (Chennai)**  
 No.121, Luz Church Road,  
 Mylapore, Chennai  
 Ph: 044 4211 8608 / 8609  
 Email: [ganesh@texonic.com](mailto:ganesh@texonic.com)