

## Ikshu SFP LX / SX

### Description

The 1000BASE-LX SFP, compatible with the IEEE 802.3z 1000BASE-LX standard, operates on standard single-mode fiber-optic link spans of up to 10 km and up to 550mtrs on any Multimode fibers. When used over legacy multimode fiber type, the transmitter should be coupled through a mode conditioning patch cable.

The 1.25G SFP optical module is Small Form Factor Pluggable (SFP) transceivers are compatible with the Small Form Factor Pluggable Multi-Sourcing Agreement (MSA). They simultaneously comply with Gigabit Standard as specified in IEEE 802.3z. The 1000BASE-SX (short wavelength) GBIC module operates on standard multimode fiber-optic link spans of up to 1804 feet (550 m).

The 100BASE-SX SFP module is a hot-swappable device that plugs into a Gigabit Ethernet SFP port. It provides full-duplex 100-Mbps connectivity over multimode fiber (MMF) infrastructures. The 100BASE-SX SFP operates on ordinary MMF optical link spans of up to 1.2428 miles (2 km) in length.

### Features

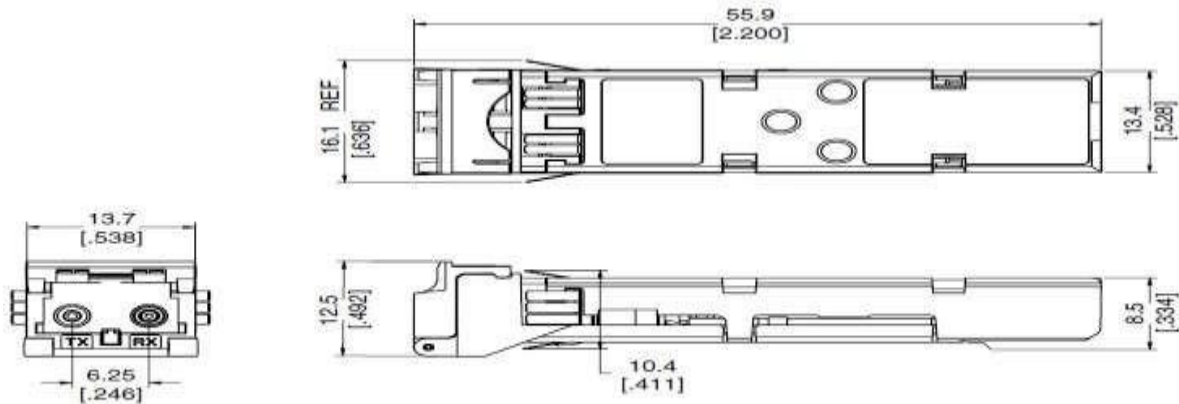


- ❖ Complaint with IEEE 802.3z
- ❖ Complaint with Multi Source Agreement (MSA) specifications
- ❖ Industry Standard: Small Form Pluggable (SFP) Hot Pluggable
- ❖ **Bit Rate: 1.25 Gbps (For Gigabit Module)**
- ❖ **Bit Rate: 155 Mbps (For 100FX Module)**
- ❖ Wavelength: 1310nm, 1550nm
- ❖ Power Supply: +3.3V
- ❖ Connector: Duplex LC Connector Interface
- ❖ Low EMI & Low power consumption
- ❖ Versatile kinds of SFP with different working wavelength & distance
- ❖ Class Laser 1 product compliant with EN 60825-1



Specifications		
Power Supply	3.3V	
Working Ambience	Temp: 0 ~ 70 Centigrade	RH: 20 ~ 90% Non Condensing
Storage Temperature	Temp: -25 ~ 80 Centigrade	RH: 20 ~ 90% Non Condensing

## Dimension



Dimensions in mm [inches]

File: 1207

Ordering Information			
Part Number	Type	Wavelength	Distance Supported
Ikshu SFP LX	Singlemode	1310nm	20km
Ikshu SFP LH	Singlemode	1310nm	40km
Ikshu SFP XD	Singlemode	1550nm	60km
Ikshu SFP ZX	Singlemode	1550nm	80km
Ikshu SFP SX	Multimode	850nm	550Mtrs

## TEXONIC

New No: 72 Royapettah High Road,  
Royapettah, Chennai-600014.  
Tamil Nadu, India.  
PH-044-42118608

Email: [networking@texonic.com](mailto:networking@texonic.com)  
Website: [www.texonic.com](http://www.texonic.com)