

155Mbps SM SFP Optical Transceiver, 20km Reach

Features

- ◆ Up to 155Mbps data links
- ◆ 1310nm FP laser and photo PIN detector for 20km transmission
- ◆ Compliant with SFP MSA and SFF-8472 with Duplex LC receptacle
- ◆ Digital Diagnostic Monitoring: Internal Calibration or
- ◆ External Calibration Compatible with SONET Compatible
- ◆ with RoHS +3.3V single power supply
- ◆ Operating case temperature:
- ◆ Standard :0 to +70° C
- ◆ Industrial : -40 to +85° C

Applications

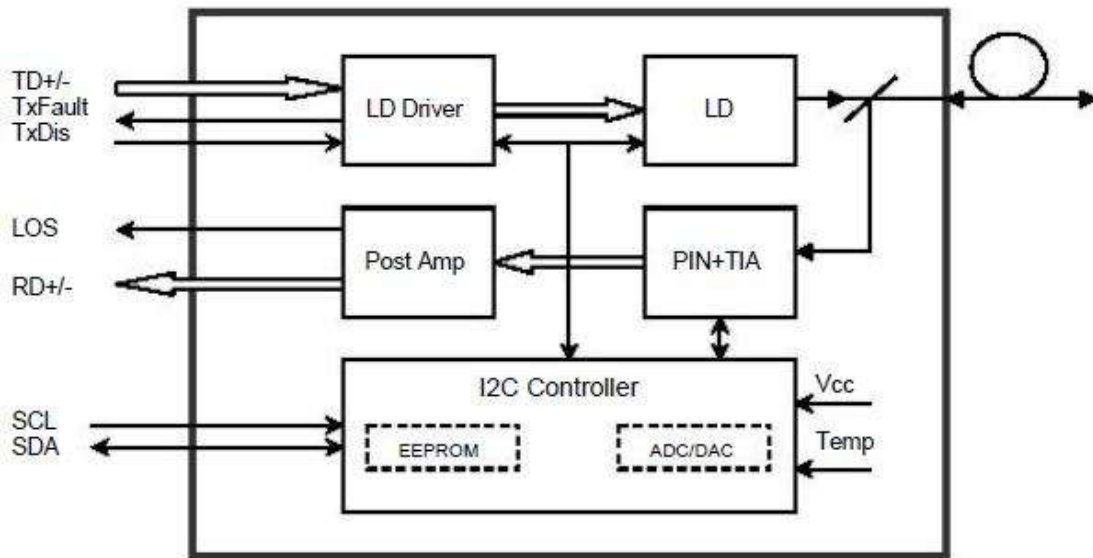
- ◆ SDH and SONET system
- ◆ Fiber Channel
- ◆ Switch to Switch interface
- ◆ Switched backplane applications
- ◆ Router/Server interface
- ◆ Other optical transmission systems

Description

The SFP transceivers are high performance, cost effective modules supporting dual data-rate of 155Mbps and 20km transmission distance with SMF.

The transceiver consists of three sections: a FP laser transmitter, a PIN photodiode integrated with a trans-impedance preamplifier (TIA) and MCU control unit. All modules satisfy class I laser safety requirements.

The transceivers are compatible with SFP Multi-Source Agreement (MSA). For further information, please refer to SFP MSA.



Absolute Maximum Ratings

Parameter	Symbol	Min	Max	Unit
Supply Voltage	Vcc	0	4	V
Storage Temperature	Ts	-40	+85	°C
Operating Humidity	-	5	85	%

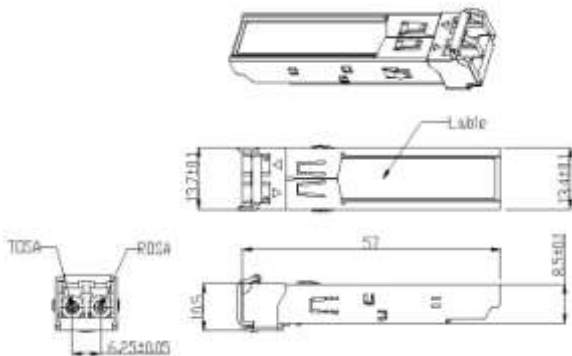
Recommended Operating Conditions

Parameter	Symbol	Min	Typical	Max	Unit
Operating Case Temperature	Standard	0		+70	°C
	Industrial	-40		+85	°C
Power Supply Voltage	Vcc	3.13	3.3	3.47	V
Power Supply Current	Icc			300	mA
Data Rate			155		Mbps

Diagnostics

Parameter	Range	Unit	Accuracy	Calibration
Temperature	0 to +70	°C	±3°C	Internal / External
	-40 to +85			
Voltage	3.0 to 3.6	V	±3%	Internal / External
Bias Current	0 to 100	mA	±10%	Internal / External
TX Power	-14 to -8	dBm	±3dB	Internal / External
RX Power	-24 to -3	dBm	±3dB	Internal / External

Mechanical Dimensions



Ordering information

Part Number	Product Description
IKSHU 100SM-20K	155Mbps, 1310nm,LC, 20km, 0°C ~ +70°C, with DDM

Texonic

No.121, Luz Church Road,
Mylapore, Chennai 600004

Ph: 044 4211 8608 / 8609

Email: networking@texonic.com