

155Mbps MM SFP Optical Transceiver, 2km Reach



Features

- ◆ Up to 155Mbps data links
1310nm FP(LED) laser and photo PIN detector for 2km
- ◆ transmission Compliant with SFP MSA and SFF-8472 with Duplex LC receptacle Digital Diagnostic Monitoring: Internal
- ◆ Calibration or External Calibration Compatible with SONET
- ◆ Compatible with RoHS +3.3V single power supply



- ◆ Operating case temperature:

- ◆ Standard :0 to +70° C

- ◆ Industrial : -40 to +85° C

Applications

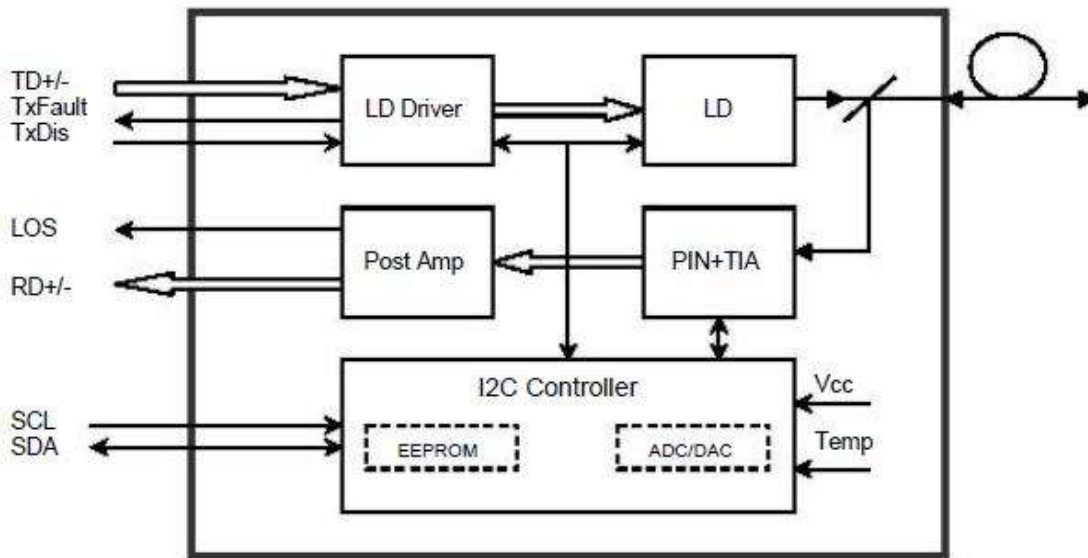
- ◆ SDH and SONET system
- ◆ Fiber Channel
- ◆ Switch to Switch interface
- ◆ Switched backplane applications
- ◆ Router/Server interface
- ◆ Other optical transmission systems

Description

The SFP transceivers are high performance, cost effective modules supporting 155Mbps and 2km transmission distance with MMF.

The transceiver consists of three sections: a FP laser transmitter, a PIN photodiode integrated with a trans-impedance preamplifier (TIA) and MCU control unit. All modules satisfy class I laser safety requirements.

The transceivers are compatible with SFP Multi-Source Agreement (MSA). For further information, please refer to SFP MSA.



Absolute Maximum Ratings

Parameter	Symbol	Min	Max	Unit
Supply Voltage	Vcc	0	4	V
Storage Temperature	Ts	-40	+85	°C
Operating Humidity	-	5	85	%

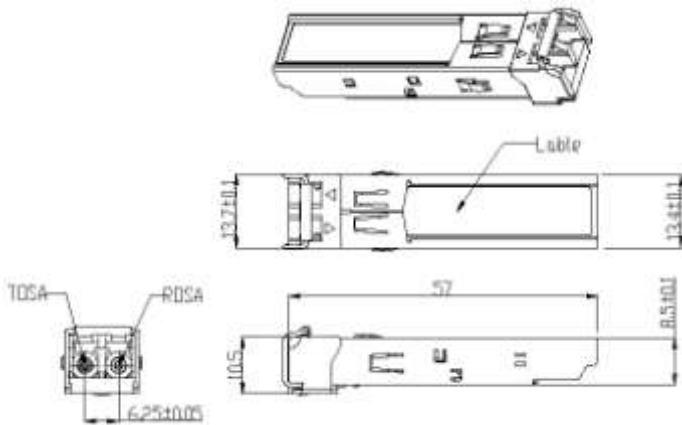
Recommended Operating Conditions

Parameter	Symbol	Min	Typical	Max	Unit
Operating Case Temperature	Standard	Tc		+70	°C
	Industrial			-40	+85
Power Supply Voltage	Vcc	3.13	3.3	3.47	V
Power Supply Current	Icc			300	mA
Data Rate			155		Mbps

Diagnostics

Parameter	Range	Unit	Accuracy	Calibration
Temperature	0 to +70	°C	±3°C	Internal / External
	-40 to +85			
Voltage	3.0 to 3.6	V	±3%	Internal / External
Bias Current	0 to 100	mA	±10%	Internal / External
TX Power	-14 to -8	dBm	±3dB	Internal / External
RX Power	-24 to -3	dBm	±3dB	Internal / External

Mechanical Dimensions



Ordering information

Part Number	Product Description
IKSHU SFP-100MM-2K	1310nm, 155Mbps, LC, 2km, 0°C ~ +70°C, with DDM

Texonic
 No.121, Luz Church Road,
 Mylapore, Chennai 600004
 Ph: 044 4211 8608 / 8609
 Email: networking@texonic.com